

Test Report no: 071227 / 01 – 12604/12615  
Company Name: EGE PROFIL Tic.ve San. A.S.  
10003 sok.no:5 AOSB / Izmir

Test: Determination of U value

System: ZENDOW

Frame width: 70 mm

Sash width: 70 mm

Section height: 111 mm

Frame profile: 12604- ZENDOW FRAME L41

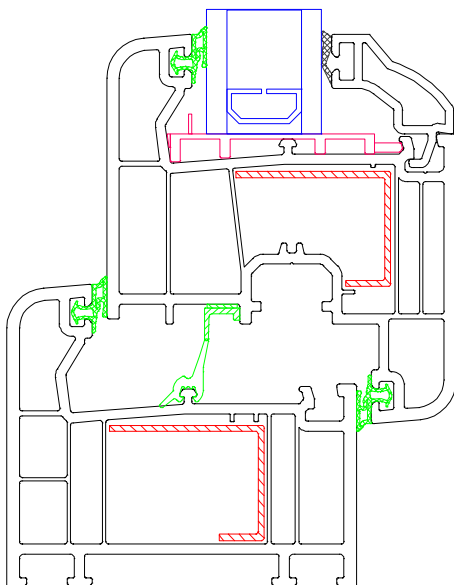
Sash profile: 12615- ZENDOW SASH Z-58

Material: PVC-U /white

Addition product: TPE CENTRAL SEALS/ 3290 & 3291

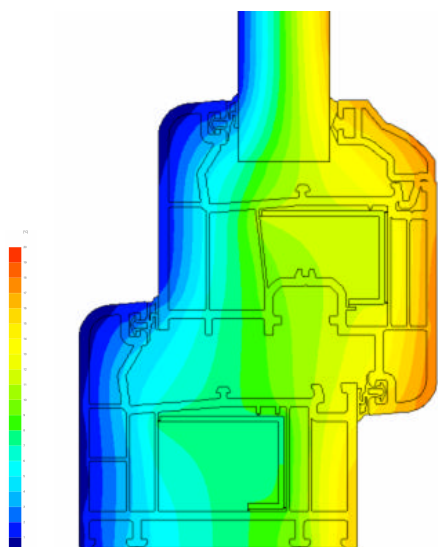
Glass thickness: 24 mm

Standard : EN - ISO 10077-2



Result:

$$U = 1.40 \text{ W} / (\text{m}^2\text{K})$$



Test Report no: 071227 / 01 – 12604/12615  
Company Name: EGE PROFIL Tic.ve San. A.S.  
10003 sok.no:5 AOSB / Izmir

Test: Determination of U value

System: ZENDOW

Frame width: 70 mm

Sash width: 70 mm

Section height: 111 mm

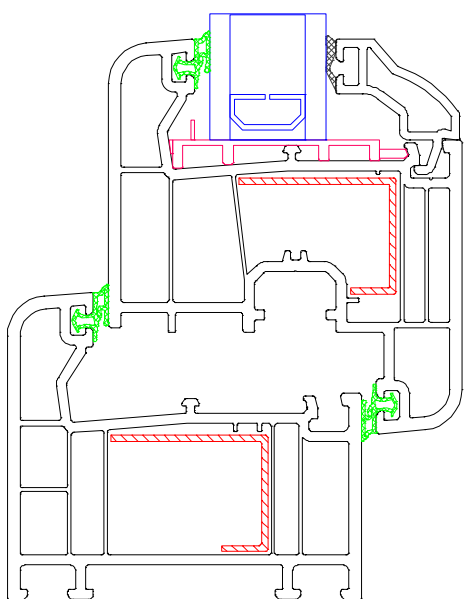
Frame profile: 12604- ZENDOW FRAME L41

Sash profile: 12615- ZENDOW SASH Z-58

Material: PVC-U /white

Glass thickness: 24 mm

Standard : EN - ISO 10077-2



Result:

$$U = 1.48 \text{ W} / (\text{m}^2\text{K})$$